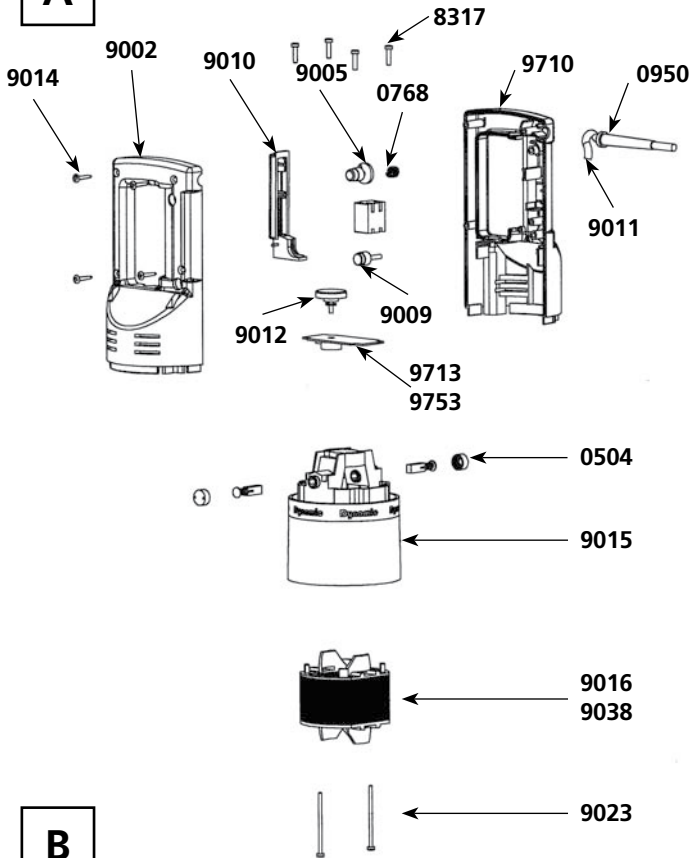


Parts list

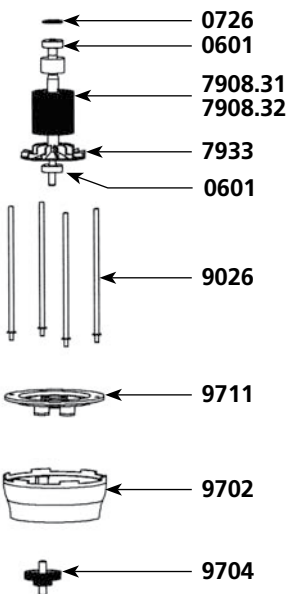
Code

Carbon brushes (2)	0504
Ball bearing	0601
Waterproof seal	0608
Squeezing washer	0726
Pin 3 X 20	0744
Pin 3 X 14	0745
Safety button return spring	0768
Wall bracket	0881
Strain relief 230 V	0950
Strain relief 115 V	0950.1
Switch 115 V	0965
Capacitor	0972
Capacitor + filter	0972.1
ID label 115 V	1019
ID label 230 V	1020
Dynamic label	1027
Brace screws (4)	7903
Rotor 115 V	7908.31
Rotor 230 V	7908.32
Fan	7933
Brace screws (4)	8317
Holder + plastic ejector + seal	8612
Plastic ejector (pair)	8613
Whisk only (pair)	8615
Half handle (button side)	9002
Safety button	9005
Plug	9009
Control lever	9010
Power cord 230 V	9011
Variable speed control button	9012
Handle screws (4)	9014
Motor housing brush holder	9015
Stator 230 V	9016
Field brace screws (2)	9023
Braces	9026
Stator 115 V	9038
Power cord 115 V	9040
Carbon brush wires (230 V)	9043
Power cord (Australian)	9066
Power cord (English)	9067
Carbon brush wires (115 V)	9143
Lower aluminum housing	9702
Middle gear & shaft	9704
Output gear & shaft + Pins	9705
Complete handle 230 V	9706
Complete handle 115 V	9706.1
Half handle (label side) 230 V	9710
Half handle (label side) 115 V	9710.1
Plate w/ 3 seals	9711
Holder without gear	9712
Variable speed control board 230 V	9713
Variable speed control board 115 V	9753

A



B



C

